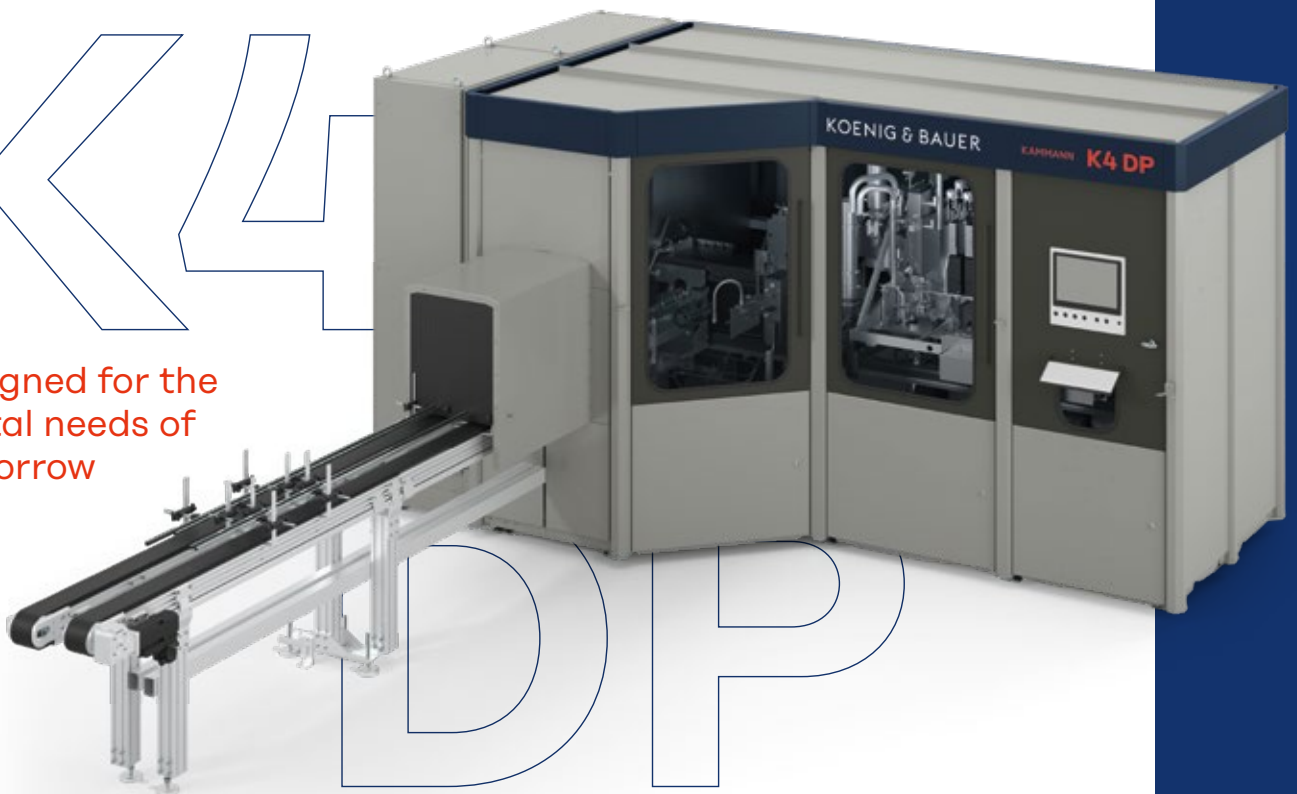


KOENIG & BAUER

The New  
Kammann K4 DP

K4

Designed for the  
digital needs of  
tomorrow



DP

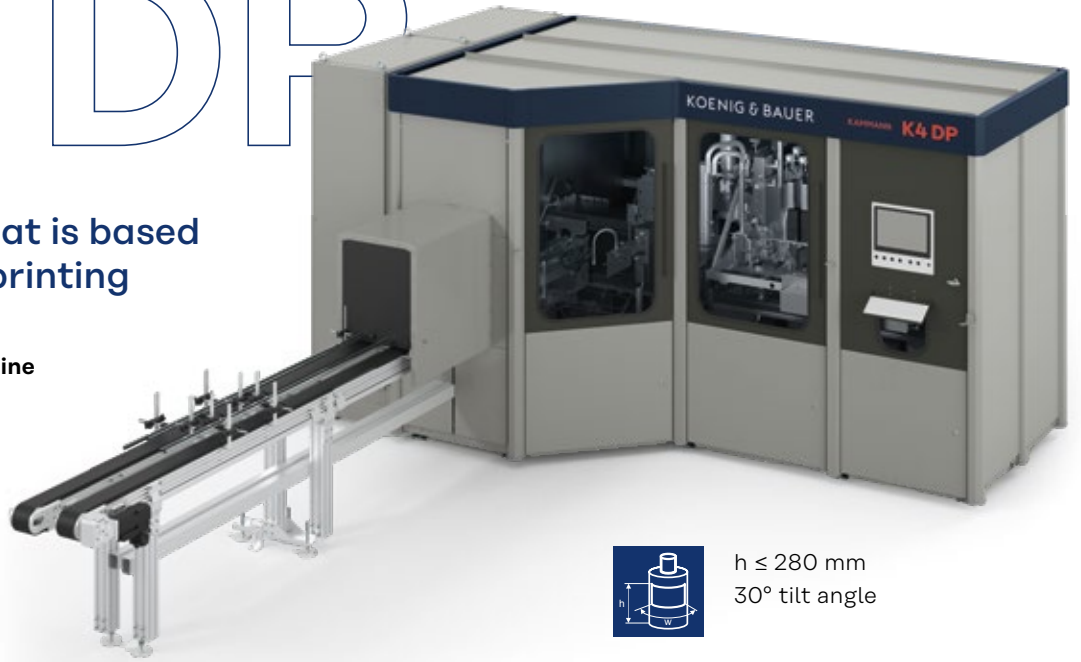
we're on it.

# K4 DP

Our first system that is based entirely on digital printing

## Full and semi automatic machine

- for nearly all geometries and shapes due to tilt arm
- for glass, plastic, metal and alternative substrates
- up to 720 dpi
- free process queue
- digital printed relief



Digital printing



$40 \leq H \leq 395 \text{ mm}$



$h \leq 280 \text{ mm}$   
30° tilt angle



Non round articles  
D Ø 20 – 120 mm  
110 mm handle radius

